

Specification

Model Name	VS-L46XM70U
Display Device	TFT LCD(SPVA Mode)
Display Resolution	WXGA(1366 x 768 Pixels)
Viewable Image Size	46" H:1018.4mm/V:572.5mm
Brightness	700cd/m ² (Typ.)@Bright Mode
	500cd/m ² (Typ.)@Normal Mode
	350cd/m ² (Typ.)@Eco Mode
Contrast Ratio	3000:1(Typ.)
Viewing Angle(H/V)	178Degree
Display Colors	16.7Million
Mullion(Total)	7.3mm(Typ.)/8.3mm(Typ.)*
Back Light Operating Life	50000hrs(Average)
Optional Input Board Slot	x3
Control Signal Input	RS-232C: Dsub9
	LAN: RJ45(10BASE-T/100BASE-TX)
	Dsub 9 x 2(IN/OUT)
	Mitsubishi Original Control Link
	Wired Remote: F3.5 Jack
	IR Receiver(Optional)
Overlay Function	Max. 6 Windows per each screen
Control S/W(Optional)	Mitsubishi D-Wall Software Suite
Power Consumption	255W(Typ.)@Bright Mode
	205W(Typ.)@Normal Mode
	175W(Typ.)@Eco Mode
Voltage Range	AC100-240V±10%,50/60Hz±1Hz
Dimensions	1025.7mm(W) x 579.8mm(H) x 150mm(D)
	40.4inch(W) x 22.8inch(H) x 5.9inch(D)
Operating Condition	5-35C.Degree@Normal/Eco Mode
	5-30C.Degree@Bright Mode
Weight	30Kg/66lbs

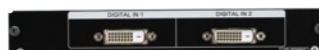
*When using with Wall Mount Frame BR-XM70KK(option).

Analog RGB input board(Optional)



Model number	VC-B70G2	
Signal input terminal(Analog RGB)	5BNC x1, HD D-sub 15 pins x1	
RGB input scanning frequency	Signal resolutions	VGA(640 x 480) - WUXGA(1920 x 1200)
	Horizontal	31.5kHz - 92kHz
	Vertical	49Hz - 85Hz
Pixel clock rate	25MHz - 162MHz	
Functions	Image scaling(shrink and zoom) Frame rate conversion	

Digital RGB input board(Optional)

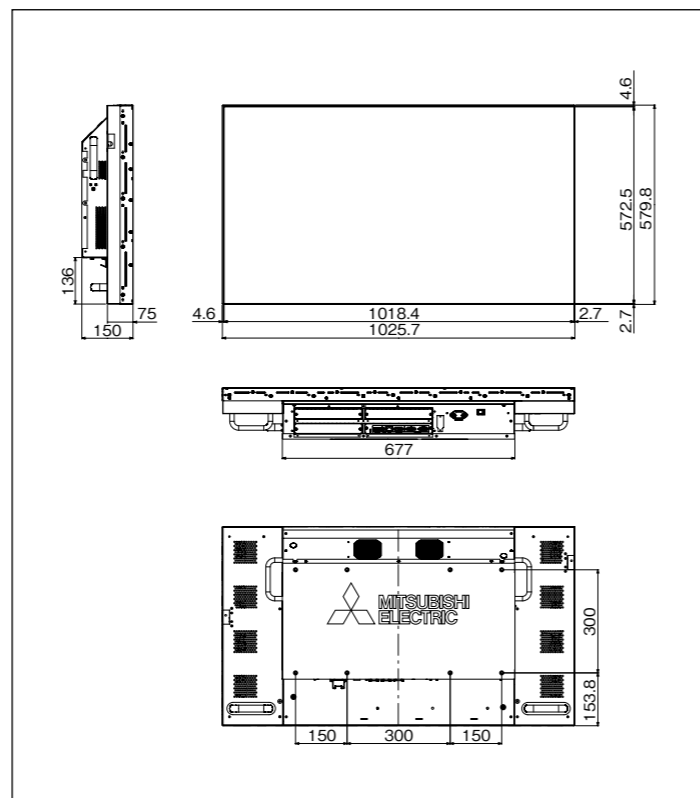


Model number	VC-B70D2	
Signal input terminal(Digital RGB)	DVI-D x2	
RGB input scanning frequency	Signal resolutions	VGA(640 x 480) - WUXGA(1920 x 1200)
	Horizontal	31.5kHz - 92kHz
	Vertical	49Hz - 85Hz
Pixel clock rate	25MHz - 162MHz	
Signal format	TMDS	
Functions	Image scaling(shrink and zoom) Frame rate conversion	

Video input board(Optional)



Model number	VC-B70V2
Signal input terminal(Analog Video)	3BNC x2
Analog video input signals	NTSC, NTSC4.43, PAL, PAL-M, PAL-N PAL-60, SECAM
Functions	Image scaling(shrink and zoom) Frame rate conversion



Daisy chain board(Optional)



Model number	VC-B70DC	
Signal input terminal	Analog RGB: HD D-sub 15 pins x1	
	Digital RGB: DVI-D x1	
	Analog video: 3BNC x1	
Signal output terminal	Digital RGB: DVI-D x1 (for daisy chain use only)	
RGB input scanning frequency	Signal resolutions	VGA(640 x 480) - WUXGA(1920 x 1200)
	Horizontal	31.5kHz - 92kHz
	Vertical	49Hz - 85Hz
Analog video input signals	NTSC, NTSC4.43, PAL, PAL-M, PAL-N PAL-60, SECAM	
Pixel clock rate	25MHz - 162MHz	
Functions	Image scaling(shrink and zoom) Frame rate conversion Daisy chain(Up to 16 cubes)	

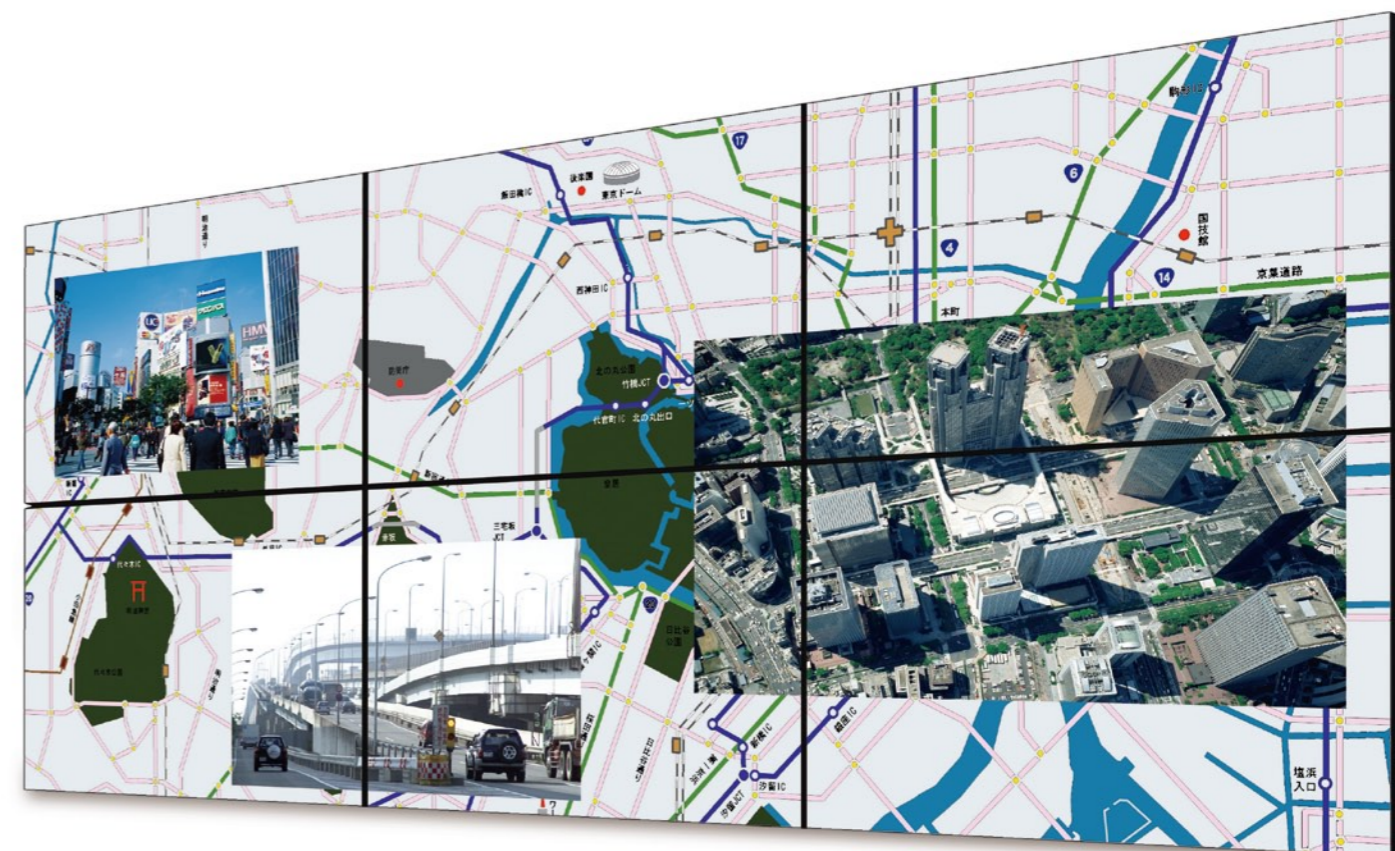
SDI input board(Optional)



Model number	VC-B70SD1
Signal input terminal	HD-SDI: BNC x1
Input signals	3G-SDI(SMPTE424M): 1080p@50/59.94/60Hz
	HD-SDI(SMPTE292M): 1080i@50/59.94/60Hz, 720p@50/59.94/60Hz
	SD-SDI(SMPTE259-C): 480i@59.94Hz, 576@50Hz
Signal output terminal	HD-SDI: BNC x1 (for through output)
Gen Lock input terminal	BNC x1
Functions	Image scaling(shrink and zoom) Frame rate conversion through output

*At least one input board per single display is needed for operation.
*The specifications are tentative and will be changed without notices.

MITSUBISHI ELECTRIC
Display Wall



70 Seventy Series: FLAT

LCD Display Wall

Mitsubishi Electric LCD Display Wall System Solutions

The Mitsubishi Electric LCD Display Wall System is the ideal solution for small-and medium-sized control rooms that require high picture quality from displays used continuously for long periods of time. It features an advanced technology system that provides intelligence, durability, redundancy and space savings.

We have extensive expertise in this field, including the installation of over 35,000 display wall cubes for mission-critical applications.

Combining a space-saving design and easy video/data integration using slot-in board processing, this display wall system is perfect for the following applications:

- >Traffic management
- >Security operations
- >Power distribution/
Water treatment management
- >Broadcasting

7.3mm mullion (total)

Super narrow 7.3mm mullion (total) minimizes the image content loss, which is critical for command and control room usage.



High picture quality over the entire wall

Digital gradation circuit

Mitsubishi Electric's innovative digital gradation circuit provides uniform brightness distribution across the screen, resulting in the reproduction of sharp, vivid images from edge to edge on multi-screen configurations. This virtually eliminates the problem of decreased brightness at the edges of each screen.



Without "Digital Gradation Circuit"



With "Digital Gradation Circuit"

Color space control

Our LCD displays are equipped with an innovative digital color space control circuit developed in-house. The circuit works to balance and blend colors, compensating for the color and brightness discrepancies among LCD displays.



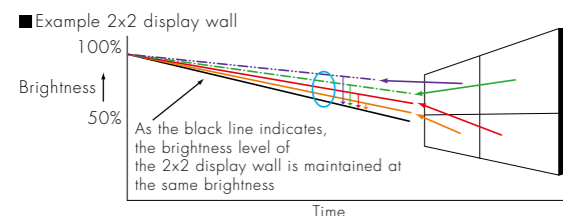
Without "Color Space Control"



With "Color Space Control"

Dynamic brightness balancing

With a built-in brightness sensor, Dynamic brightness balancing circuit can keep the brightness uniformity of display wall over the period of operation time by communicating the measured brightness data by every 2 seconds.



Internal processing

Built-in processor

Each display of LCD Display Wall System is equipped with an internal data-processing function that allows to show up to six windows per a single panel, and allows to show up to three windows placed any size and position across the entire wall when using the daisy chain function of the daisy chain board.

Install Mitsubishi Electric's D-Wall software suite and the entire imaging system can be controlled intuitively from a user-friendly graphical user interface.

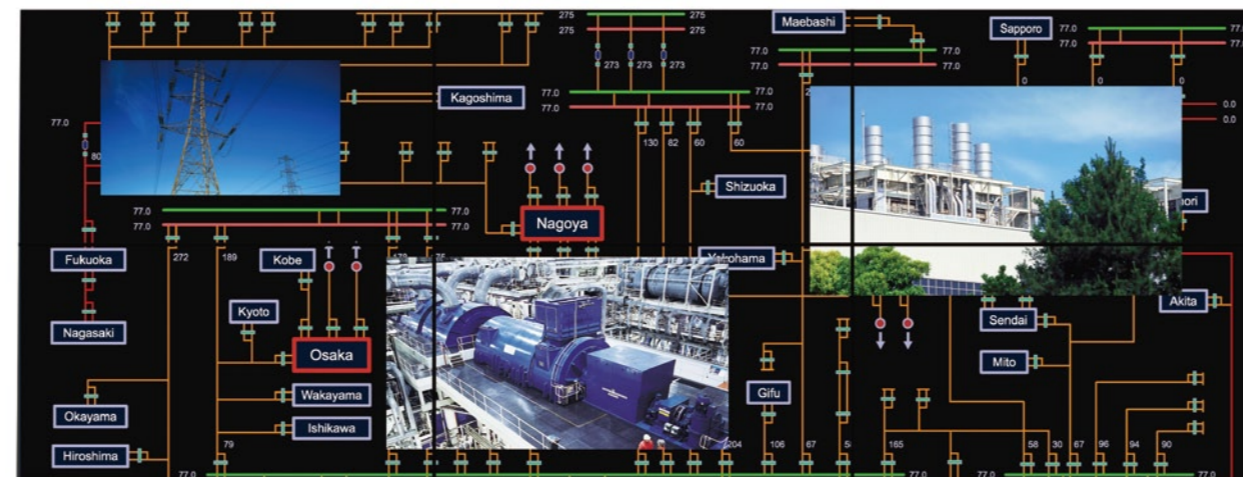
Redundancy

Smart Switch

The LCD Display Wall System is also equipped with a "Smart Switch". This signal source control function provides the redundancy necessary for mission-critical applications that require continuous operation. If the signal is unexpectedly lost, the signal source is automatically switched to an alternative device (either "port-to-port" or "board-to-board") within seconds of detecting the 'no signal' status. As a result, user downtime is minimized in the event of a signal source failure.

Front access for easy service

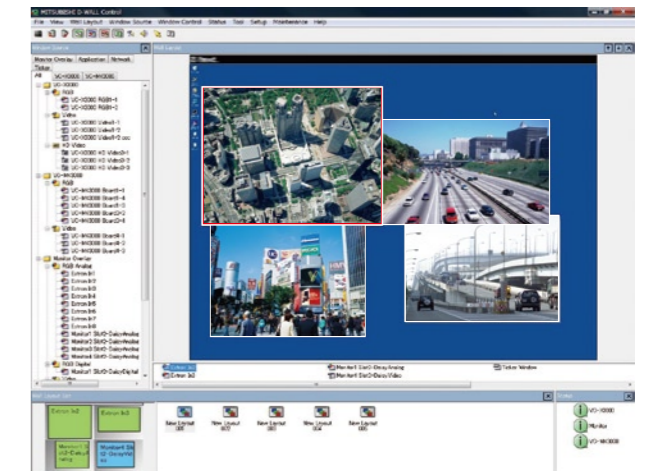
When used in combination with Mitsubishi Electric's original optional wall mount kit, LCD panels can be accessed from the front-side of the system. This design makes it possible for panels to be serviced from the front as well as the rear.



User-friendly graphical user interface (Option)

"D-Wall", a software suite developed by Mitsubishi Electric, is available for LCD Wall System. The software was originally created for use with the display wall cube and processor, and has been continuously modified and upgraded.

In addition to basic functions such as wall configuration support, display layout control, and brightness and color control, the following functions for control room use have been incorporated into the latest version.



Remote multi-mouse cursor application control

When being operated under a client-server configuration, multiple users (clients) can simultaneously navigate applications using their dedicated mouse. Individual cursors, color-coded for each mouse, are shown on the display wall, and all clients can control applications on the server. This function simultaneously enables more efficient control room operation and room layout flexibility.

Alert message utility

This information function displays alerts and notices on the wall, supporting teamwork in the control room.

System monitoring

This management function constantly monitors key operating parameters of the LCD Wall System such as the status of cooling fans and temperature inside the displays. The information for each display is displayed via the GUI.

Multilingual interface

The D-wall software suite is available in multiple languages.